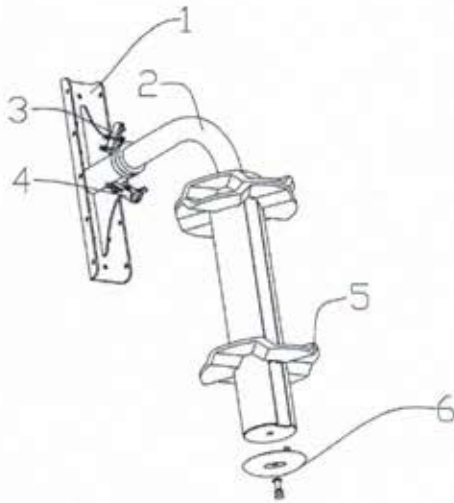


EasySwing Maxi Operating and installation instructions

The **EasySwing MAXI** Brush System for Animals is designed for independent brushing of animals both indoors and outdoors, and is suitable for year-round usage.

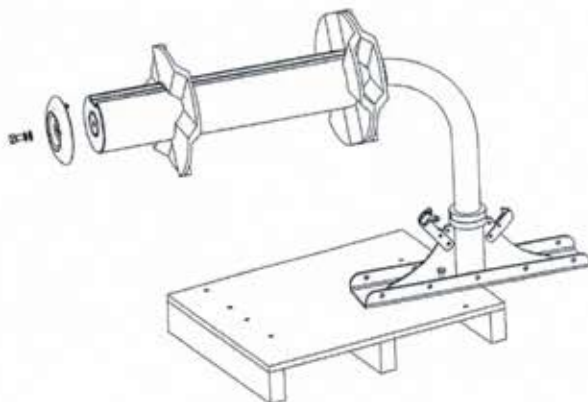
Package contents:

- | | |
|---|----------------------------------|
| 1 x Stand (1) | 1 x Brush shaft (2) |
| 1 x Vertical latch (3) | 1 x Locking latch (4) |
| 20 x Brush disc (5) | 1 x Tensioner lid (6) |
| 1 x M16 x 45 Screw + Washer/Lock washer | 4 x M8 x 35 Screw + Nut + Washer |



Assembling the brush part:

Installing the brush discs onto the brush shaft is easiest to do before attaching it to the stand, as shown in the illustration.



Attach the stand to a suitable base, such as a pallet as in the illustration. One bolt is enough when the brush shaft is turned slightly sideways in relation to the base.

If the brush system is already attached to a wall and e.g. the brush discs require changing, it is recommended to turn the brush shaft to a horizontal position and secure it with e.g. a vertically placed plank. This helps make the job easier.

Install the brush discs onto the brush cylinder so that the pegs on the brush disc go inside the groove on the cylinder. The next disc should be installed as a mirror image of the previous one, so that diamond-shaped holes are left between the discs. Continue this pattern until the head of the cylinder is reached. The final brush disc may be slightly over the edge of the cylinder. Use the tensioner lid to secure the brush discs onto the cylinder.

Two 24mm socket wrenches are required for installation. Set the tensioner lid on the head of the cylinder and lightly attach it using an M16 screw, a lock washer and a washer. Turn the lid so that the stud on the bottom of the lid goes into the middle of the groove on the cylinder, and fasten the lid against the end of the cylinder.

Attaching the stand:

The stand is attached approximately 30 centimetres (roughly 12 inches) higher than the animal's height of the withers, measured from the joint on the stand. For cows, the usual height of the joint is about 1.8 metres (approximately 5 feet, 11 inches).

If the stand is being attached to a surface made of e.g. strong steel or concrete, no additional fasteners are required for the structure. It is essential to attach the stand to its base so tightly that it does not begin moving even over a long period of time. Using through bolts (bolts that go through the structure itself) and suitably large washers on the back is recommended.

Naturally, the ideal tightness of the fastening depends on what kind of animal the brush system is being installed for. Using bovines as an example, cows are always more relaxed than bulls when using the brush. The stand can be attached to different pillar structures using separate fastening kits.

The stand is installed vertically. It is symmetrical, so it can be installed onto the structure both ways.

Getting started:

Once the stand is installed, the brush shaft is pushed into the tube on the stand. Oiling the joint surface beforehand is a good way to make installation easier. Attach the locking latch (the part with the slide mechanism) to the bottom of the stand with two M8 screws. Install the vertical latch onto the top of the stand without tightening the screw on the back too much. When the brush is not turned to its upper position, install another M8 screw into the unoccupied hole on the vertical latch to prevent accidental lockups.

IMPORTANT NOTE: The joint on the brush system MUST be lubricated through a grease nipple before beginning use of the brush!

Use and maintenance:

The brush system settles in place gradually. After some time in use, it is recommended to check if any of the stand's fastening screws have loosened and tighten them if necessary.

Following the first lubrication, the joint should be greased again after the first two weeks of use. Afterwards, depending on usage, lubricate the joint 2 to 4 times a year.

The brush can be turned to and locked in its upper position for certain situations, such as automated manure removal. To do this, remove the outer free bolt from the vertical latch and turn the brush to its upper position, so the "beak" of the vertical latch goes inside the hole in the frame. Secure the locking mechanism back in place (with bolt). When adjusting the brush position up or down, special care must be taken to prevent the downward swing of the brush from causing a dangerous situation.

Guarantee 24 month's guarantee. The guarantee covers only material and construction faults. Faulty parts are replaced free charge, customers must carry out replacement work. Brush disc limited warranty. Does not apply to lower than -20 ° C temperatures of broken brush disc.

EC DECLARATION OF CONFORMITY

Our company

FinnEasy Oy

Juha Kultanen

Iltarauhantie 166

82210 Suhmura

Tel: +358(0)504923501

juha@finneasy.com

Certifies that the EasySwing MAXI Brush System for Animals cattle brush has been designed and manufactured to conform to the following EC Directive of 17 May 2006 "relating to machinery" **2006/42/EC**

The following documents have been created for this product:

Usage and maintenance instructions

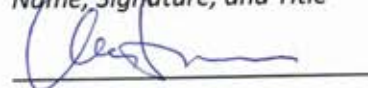
Technical illustrations

Other technical documents, including quality assurance procedures for design and manufacturing

Place and Date

Joensuu, 6 April 2016

Name, Signature, and Title



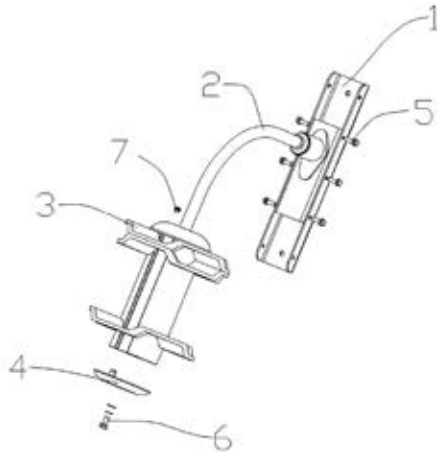
Juha Kultanen, Managing Director

EasySwing Midi Operating and installation instructions

The **EasySwing Midi** Brush System for Animals is designed for independent brushing of animals both indoors and outdoors, and is suitable for year-round usage.

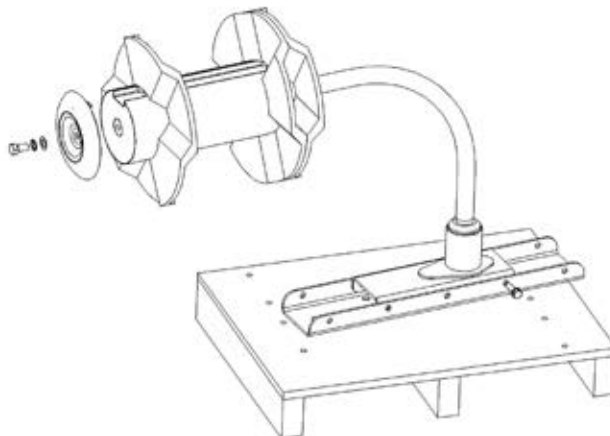
Package contents:

- | | |
|-------------------------|--|
| 1 kpl Stand (1) | 6 kpl M12 Screws + Washers (5) |
| 1 kpl Brush shaft (2) | 1 kpl M16 Screw + Washer/Lock washer (6) |
| 10 kpl Brush disc (3) | 1 kpl 3/8 Plug (7) |
| 1 kpl Tensioner lid (4) | |



Assembling the brush part:

Attach the wall frame to the included pallet or another suitable base, as shown in the illustration. One bolt is enough when using the middle hole. Attach the brush frame to the wall frame temporarily, fasten by hand using two bolts.



If the brush system is already attached to a wall and e.g. the brush discs require changing, it is recommended to turn the brush shaft to a horizontal position and secure it with e.g. a vertically placed plank. This helps make the job easier.

Install the brush discs onto the brush cylinder so that the pegs on the brush disc go inside the groove on the cylinder. The next disc should be installed as a mirror image of the previous one, so that diamond-shaped holes are left between the discs. Continue this pattern until the head of the cylinder is reached. The final brush disc may be slightly over the edge of the cylinder. Use the tensioner lid to secure the brush discs onto the cylinder.

A 24mm socket wrench is required for installation. Set the tensioner lid on the head of the cylinder and lightly attach it using an M16 screw, a lock washer and a washer. Turn the lid so that the stud on the bottom of the lid goes into the middle of the groove on the cylinder, and fasten the lid against the end of the cylinder.

Attaching the brush:

The brush is attached approximately 30 centimetres (about 12 inches) higher than the animal's height of the withers, measured from the joint on the brush shaft. For animals that are still growing, the height can be set higher. The height of the brush can be adjusted by 45 cm/18 inches, in 15 cm/6 inch increments, without the need to remove the wall attachment from its frame. This should be taken into account when planning the installation of the wall frame.

If the stand is being attached to a surface made of e.g. strong steel or concrete, no additional fasteners are required for the structure. It is essential to attach the stand to its base so tightly that it does not begin moving even over a long period of time. Using through bolts (bolts that go through the structure itself) and suitably large washers on the back is recommended.

Naturally, the ideal tightness of the fastening depends on what kind of animal the brush system is being installed for. Using bovines as an example, cows are always more relaxed than bulls when using the brush. The stand can be attached to different pillar structures using separate fastening kits.

Once the wall frame is installed, the brush shaft is placed into the frame and attached from the side with M12 bolts, first loosely placed and then fastened tight.

Balancing the brush:

The brush can be balanced using the sand ballast included with the system. Balancing the brush adds brushing tension for the animal and makes the brush movements more even. However, balancing the brush is not required. If, for example, the structure the brush is attached to is not very rigid (such as a divider in a bullpen), the stress on it is reduced without the balancing. If the brush is intended for use by particularly small animals, balancing it is not necessarily required in that case either.

It is recommended to add the sand only after the brush has been installed in place. Turn the cap on top of the brush cylinder to open it, so the sand can be trickled into the cylinder via a hole cut into one of the corners of the sand bag or by using a suitable funnel for help. Finally, refasten the cap. The cap must always be in place even if there is no sand ballast on the brush.

The sand used for balancing the brush is clean, non-toxic, and safe for animals even if it gets in their feeding area. The sand can be removed or the amount can be decreased by opening the cap and turning the brush upside down.

Usage and maintenance:

The joint on the brush is fitted with plain bearings and pre-lubricated at the factory. The next lubrication should be done after the first 1 to 2 weeks of use, and then 2 to 4 times a year depending on usage.

The brush system settles in place gradually. After some time in use, it is recommended to check if any of the stand's fastening screws have loosened, and tighten them if necessary.

Guarantee 24 month's guarantee. The guarantee covers only material and construction faults. Faulty parts are replaced free of charge, customers must carry out replacement work.

EC DECLARATION OF CONFORMITY

Our company

FinnEasy Oy

Juha Kultanen

Iltaauhantie 166

82210 Suhmura

Tel: +358(0)504923501

juha.kultanen@finneasy.com

Certifies that the EasySwing MIDI Brush System for Animals cattle brush has been designed and manufactured to conform to the following EC Directive of 17 May 2006 "relating to machinery" **2006/42/EC**

The following documents have been created for this product:

Usage and maintenance instructions

Technical illustrations

Other technical documents, including quality assurance procedures for design and manufacturing

Place and Date

Joensuu, 6 April 2016

Name, Signature, and Title



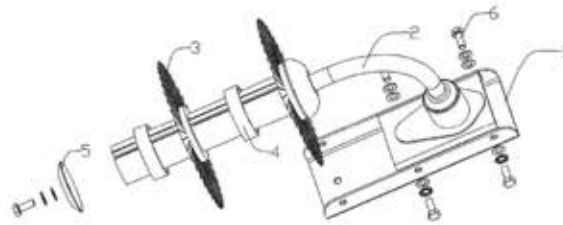
Juha Kultanen, Managing Director

EasySwing Mini Operating and installation instructions

The **EasySwing Mini Brush System for Animals** is designed for independent brushing of animals both indoors and outdoors, and is suitable for year-round usage.

Package contents:

1 x Wall frame (1)	3 x Balance ring (4)
1 x Brush shaft (2)	1 x Tensioner lid (5)
10 x Brush disc (3)	5 x M12 screw + Washer (6)
6 x Intermediate ring (4)	



Assembling the brush part:

Start by pushing the first brush disc in place on the cylinder (the peg on the disc goes into the groove on the cylinder). Now, place the intermediate ring and another brush disc. Continue with this pattern until the final brush disc is level with the head of the metal cylinder or slightly over it. Place the tensioner lid on the head of the cylinder and fasten using an M12 screw with a washer and a lock washer. Fasten the lid against the end of the cylinder.

Attaching the brush:

The brush is attached approximately 20 centimetres (about 8 inches) higher than the animal's height of the withers, measured from the joint on the brush shaft. For animals that are still growing, the height can be set higher. The height of the joint can be adjusted by 20 cm/8 inches, in 5 cm/2 inch increments, without the need to remove the wall attachment from its frame. This should be taken into account when planning the installation of the wall frame.

The wall attachment frame can be installed on level surfaces such as wooden or concrete walls as is. Premade attachment kits for different pillars and pen structures are available as accessories (sold separately). Of course, they can also be built on one's own. What is important is that the wall frame is fastened in place tightly enough that it does not move, even over long periods of time.

Naturally, the ideal tightness of the frame's fastening depends on what kind of animal the brush system is being installed for.

Once the wall frame is installed, the brush shaft is placed into the frame and attached from the side with M12 bolts, first loosely placed and then fastened tight.

Balancing the brush:

Three (3) of the intermediate rings included with the EasySwing Mini brush system are metallic balance rings. Balancing the brush adds resistance for the animal and makes the brush movements more even.

Resistance can be adjusted with the placement of the balance rings. The lower (further from the joint) the rings are placed, the higher the resistance on the brush. The higher (closer to the joint) the rings are, the less resistance there is.

Use and maintenance:

The brush system settles in place gradually. After some time in use, it is recommended to check if any of the fastening screws have loosened and tighten them if necessary.

Guarantee 24 month's guarantee. The guarantee covers only material and construction faults. Faulty parts are replaced free of charge, customers must carry out replacement work.

EC DECLARATION OF CONFORMITY

Our company

FinnEasy Oy

Juha Kultanen

Iltaauhantie 166

82210 Suhmura

Tel: +358(0)504923501

juha.kultanen@finneasy.com

Certifies that the EasySwing Mini Brush System for Animals cattle brush has been designed and manufactured to conform to the following EC Directive of 17 May 2006 "relating to machinery" **2006/42/EC**

The following documents have been created for this product:

Usage and maintenance instructions

Technical illustrations

Other technical documents, including quality assurance procedures for design and manufacturing

Place and Date

Joensuu, 6 April 2016

Name, Signature, and Title



Juha Kultanen, Managing Director